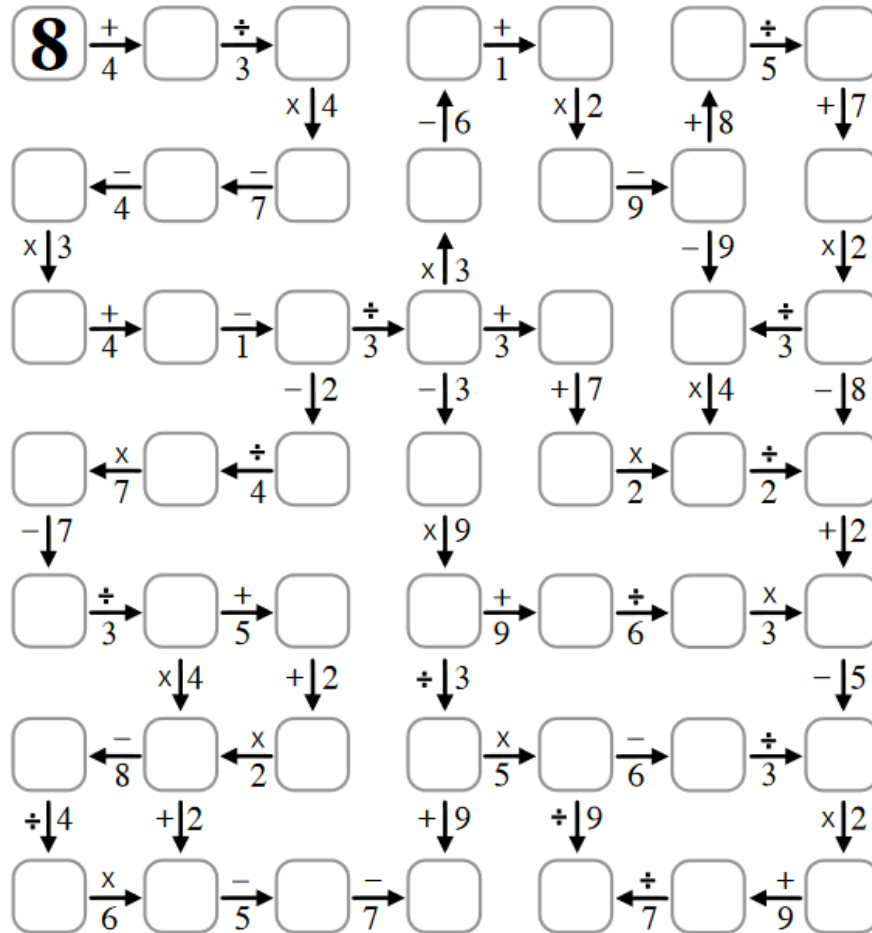


★ PUZZLE OF THE WEEK ★

Number Snake Maze

Complete the following maze by filling in all the missing numbers. Pay attention to the arrows and the operations (addition, subtraction, multiplication, and division)!



Be sure to check the next newsletter to see the solution! If you have questions about or suggestions for the puzzle of the week, let Ms. Rush know!

Special thanks to dadworksheets.com for the puzzle