

ÉCOLE BOUNDARY ELEMENTARY SCHOOL  
750 26<sup>th</sup> Street East, North Vancouver, B.C. V7K 1A4

Phone: 604.903.3260

Email: [boundary@sd44.ca](mailto:boundary@sd44.ca)

Website: [boundaryelementary.ca](http://boundaryelementary.ca)

## Boundary e-News

May 22, 2023

Important Dates & Reminders for the Week of: May 22 to May 26, 2023

Monday 22	Tuesday 23	Wednesday 24	Thursday 25	Friday 26
Victoria Day School Closed	Track Practice <b>Cancelled</b>  Long House E06/E07  Hot Lunch White Spot  K-3 Sport Program 3:00-4:30	Track Practice <b>Cancelled</b>  Long House E08/E09  Field Finals 6/7 Boundary 4/5 Ross Road		Boundary Carnival 4-7pm

Dear Boundary Families,

It has been a wonderfully, warm 3-day weekend and we hope you were all able to make the time to spend with family and friends on this May long weekend. This weekend is the one that often gives us a sneak-peak into the coming summer season and this one did not disappoint! We sure had some warm, sunshine with a few cool evenings, but this was just a taste.

This coming week, our Grade 3 students will be travelling to the Cheakamus River valley to experience a trip back in time, to an historic Sḵw̱x̱wú7mesh (Squamish) Long House situated on the Ch'iyákmesh (Cheakamus) River. Students will work in family groups to experience daily responsibilities, meal preparation, fireside storytelling, dance and games. These young students will return with new wisdom and skills that they will be excited to share upon return. This immersive knowledge always builds a deeper foundation and respect for Coast Salish culture prior to colonization on this west coast.

The Carnival is coming!! This coming Friday night will be so much fun! The Boundary PAC has been working tirelessly to pull this event together and we hope to see everyone there. This is one of the biggest fun(d) raisers of the year so plan for an evening of Carnival games, food, contests, and prizes! We want to thank all of the parents and donors who have worked on putting this event together for all Boundary Families! Also, please see more information below for the Online Auction that is now OPEN!

Wishing everyone a restful Monday evening and a super fun week ahead!

## Calendar

Monday May 22 – Victoria Day - **Students Not in Session**

Tuesday May 23-24 – E06/E07 Long House

Wednesday May 24-25 – E08/E09 Long House

Wednesday May 24 – Field Finals; 3:30-6:00 – Gr.6/7 – Boundary, Gr.4/5 – Ross Road

Friday May 26 – Carnival; 4pm-7pm

Friday May 26 – Argyle Cabaret (adult only event)

May 29 – June 02 – Bike (Wheel) to School Week

Monday May 29 – Tennis Begins

Monday May 29 – Kindergarten Orientation

June – Indigenous History Month

Monday June 5 – School Based Pro-D – **Students Not in Session**

Tuesday June 6 – Track Finals – Sutherland 8am -12pm

Friday June 9 – Pancake Breakfast

Friday June 9 – 6/7 to Playland

Friday June 9 – Fun Day

Tuesday June 13 – LFI Orientation

Wednesday June 21 – Indigenous Peoples Day

Wednesday June 21 – BPAC AGM

Saturday June 24 – Kidsport Sports Equipment sale at Carson Graham

Tuesday June 27 - Grade 7 Farewell; 1pm

Thursday June 29 – Recognition Assembly

Thursday June 29 – Last Day of Classes

---

## Boundary News

### Track and Field

Please note that there will be **no track session scheduled for Tuesday, May 23<sup>rd</sup> or Wednesday May 24<sup>th</sup>**. Regular practices will resume next week. However, there is an important Field Finals taking place on Wednesday, May 24<sup>th</sup> from 3:30 to 6:00. Grade 6 and 7 students will be competing at Boundary, while grade 4 and 5 students will be at Ross Road. This meet is exclusively for students who have successfully qualified in a field event. If you are one of the qualifiers, your coach would have already informed you about your participation status. Make sure to be prepared and give your best effort at the meet.

## School Supplies and Planners

The information regarding school supplies and planners for the 2023-2024 school year has been sent to parents and guardians via email and paper copies. In case you have misplaced any of these documents, you can access them at <https://bit.ly/3tP46wP>. Payments for the school supplies and planners can be conveniently made through SchoolCash Online.

## KidSport North Shore

KidSport North Shore (KSNS) is a chapter of KidSport BC, which is a registered charity within Sport BC that raises funds to cover registration fees for children and youth from low-income families to be able to participate in sports. KSNS supports families in need across the North Shore from Deep Cove to Lions Bay, including Bowen Island.

KidSport North Shore will be hosting a **Sports Equipment Sale on Saturday, June 24 in the Carson Graham Secondary School** gymnasium in North Vancouver. All items will be sold at incredibly low prices to support recycling of sports equipment in our equipment, increase access to sports equipment for all North Shore families and residents, and to raise funds for our community charity!

If you have any donations of new and gently used sports equipment, please see the KidSport North Shore webpage at [www.kidsportnorthshore.ca](http://www.kidsportnorthshore.ca) for details. If you would like to volunteer, please click <https://bit.ly/41UzTO5>. Volunteers must be 15 and above or 8 to volunteer alongside a parent or guardian.

## Summer Reading Club

At NVDPL, Summer Reading Club will officially launch on June 12<sup>th</sup>, and will go all summer long until September 17<sup>th</sup>. Children can participate by visiting their local library to pick up an SRC reading record OR they can participate online through [www.bcsrc.ca](http://www.bcsrc.ca). Kids are encouraged to read over the summer, keep track of their reading achievements in their reading records or on the [BC SRC website](#), and visit the library to pick-up a special sticker for each completed week of reading. After they've completed 50 days of reading, they will be rewarded with a Summer Reading Club medal and a book prize!

## Summer Camp – Private Coaching Company

Private Coaching Co is excited to announce they are running Summer Camps throughout every week in July & August with all of your favourite coaches.

Join their team for a Summer full of Sports, Games, Arts & Crafts, Adventures and FUN! The ultimate Summer experience.

**For Who:** Ages 5-9, All Skill Levels

**Where:** Irwin Park Elementary School - Outdoor space & Indoor portable.

**When:** All weeks in July & August

**Time:** 9:00 - 3:00 (Extended days available)

**How to book:** Follow the link here to sign up: <https://bit.ly/3Wp1ohv>

We look forward to you joining us to create some unforgettable summer memories. Please email [matt@privatecoachingco.com](mailto:matt@privatecoachingco.com) for any questions - and check out the flyer below for more details!

## Roll to School Week

From May 30<sup>th</sup> to June 3<sup>rd</sup>, we are encouraging all students and parents to join our annual celebration to bike, roll, or walk to school. Classroom teachers will be recording the number of students that "roll" to school to enter in a school-wide class contest. Each student that "rolls" to school will count for one entry for the class. At

the end of the week, we will do a draw for the class prize. Don't worry if you live too far away, you can always park a few blocks away and roll the rest of the way to the school.

### Puzzle of the Week

This week's puzzle is now posted. Please see the end of the newsletter or click on this link; <https://bit.ly/334qWWz> for the latest question.

---

## BPAC News

### Spring Carnival – Friday, May 26th 4-7pm

See you this Friday for the Spring Carnival!

Pre-purchase tickets on <https://boundary.hotlunches.net> until May 23<sup>rd</sup> and avoid the lines!

Games, attractions and food will be anywhere from 1 ticket to 6 tickets (\$1/ticket) and tickets will be for sale (singles etc.) on site using credit or cash!

**VOLUNTEERS NEEDED** – this event cannot run without your help. Please sign up for a 1 hour slot (or more) to help make this a fun event for your children: <https://signup.com/go/VmBwJJU>

*Thank You to our Sponsors!*

Platinum: *Wolf Masonry, Lynn Valley Care Centre, Mitchell's Towing*

Gold: *Bailey Environmental, Cedar Mill Childcare, ZLC Financial*

Silver: *Lynn Valley Life*

Bronze: *Tempe Tots Daycare, Focus Physio*

And thank you to the Lynn Valley Lions for their support with the preparation and sale of the food. We are so fortunate you have once again chosen to support us. Your volunteers are second to none!

### Online Auction is LIVE!!

Check out all the amazing goods and services that were generously donated for our auction. The Auction is now live and will close at 10pm on Sunday, May 28<sup>th</sup>. Happy bidding!!

<https://www.32auctions.com/Boundary2023>

### Hot Lunch Coordinator Needed

We are looking for a highly organized individual to take over the role hot lunch coordinator. This position does not require you to be on the PAC Executive team or attend extra meetings.

*We will not be able to run the hot lunch program next year without a volunteer and this is our biggest fundraiser for the school.*

Our current coordinator has been tremendous so the handoff would be easy!

Please email [chair@boundarypac.ca](mailto:chair@boundarypac.ca) for more details.

## BPAC Annual General Meeting

We will be hosting our Annual General Meeting June 21<sup>st</sup>. Stay tuned for details.

---

## Social Media

Instagram: [@BoundaryPAC](https://www.instagram.com/BoundaryPAC)

Facebook: [Boundary Pac](https://www.facebook.com/BoundaryPac)

Twitter: [@BoundaryPAC](https://twitter.com/BoundaryPAC)

Website: [boundarypac.ca](https://boundarypac.ca)

## Boundary PAC Executive

Chair – Sue Cleall ([chair@boundarypac.ca](mailto:chair@boundarypac.ca))

Vice Chair – Nicole Durnin ([vicechair@boundarypac.ca](mailto:vicechair@boundarypac.ca))

Secretary – Tracey O’Haggarty’s ([secretary@boundarypac.ca](mailto:secretary@boundarypac.ca))

Treasurer – Elizabeth Peon Valle / Joanna Watt ([treasurer@boundarypac.ca](mailto:treasurer@boundarypac.ca))

Directors at Large: Samantha Gutmanis, Tania Kennedy, Leanne Menzies, Lindsay Marett, Zoe Guillemette

Hot Lunch Coordinator / Special Projects – Nicole Pajak / Tammy Gamel ([hotlunch@boundarypac.ca](mailto:hotlunch@boundarypac.ca))

---

# Reminders

## Tennis/Pickleball

Boundary Elementary is excited to offer an in-school tennis and pickleball program delivered by Tennis XL from May 29 to June 14, 2023. This program aims to introduce students to the game and skills of tennis and pickleball in an engaging and enjoyable way. Each class will receive 3 to 4 lessons, which have been carefully designed by Tennis XL to teach the fundamentals.

Permission forms were sent home last week, and payment for the program can be made online. If you have any questions or concerns, please do not hesitate to contact Mr. MacLeod. We hope that your child will take advantage of this unique opportunity to learn new skills and have fun!

## 2023-2024 Class Placement

For those parents/guardians who feel the need to provide additional information describing learning style and/or emotional and social needs of your child: please complete the Placement Form ONLY if you have information that the current teacher and/or principal do not have and should consider when placing your child. An accompanying letter is not necessary and will not be accepted. Please email the placement form to Mr. MacLeod at [tmacleod@sd44.ca](mailto:tmacleod@sd44.ca) no later than May 27th, 2023. Please visit the following link to find out more information: <https://bit.ly/3bFw2dl>

## Report Card Changes are Coming

Exciting changes are on the horizon for student reporting in the 2023-2024 school year. The province is currently focused on updating the reporting language, with the goal of improving the way we communicate student progress to parents and caregivers. We are thrilled to share that progress has been made towards these efforts and invite you to click on the following link to learn more about what's in store (<https://bit.ly/3TWFuAR>).

Furthermore, we want to share with you the recent superintendents' update on these changes, which can be found at <http://bit.ly/42Rg9wn>. We encourage you to review this update for a comprehensive understanding of what the new reporting system will entail.

We understand the importance of clear and informative communication between schools and families. With these changes, we aim to provide more detailed and meaningful information about your child's progress, in a language that is easy to understand. As we move towards the implementation of the new reporting system, we look forward to working with our parent community to ensure that everyone is informed and engaged in the learning process. Together, we can support our students and help them reach their full potential.

## Student and Family Affordability Fund

Through the Student and Family Affordability Fund (SFAF), the school district is supporting students and their families who are feeling financially challenged due to the rising costs of living.

To request financial support at any time throughout the 2022-2023 school year for expenses such as:

- School fees
- School/course supplies
- Clothing/footwear
- Basic Necessities
- Athletic wear (for school athletics)
- Family food security (groceries)
- PAC hot lunch
- One-day field trips

Please complete the form(s) available on the [Student and Family Affordability Fund](https://bit.ly/3TAg8re) (<https://bit.ly/3TAg8re>) web page and submit the form(s) in confidence to Mr. MacLeod.

Should you have any questions or need support completing the form(s), please reach out to Mr. MacLeod. A Frequently Asked Questions web page (<https://bit.ly/3yXswcQ>) is also available.

Have a great week!

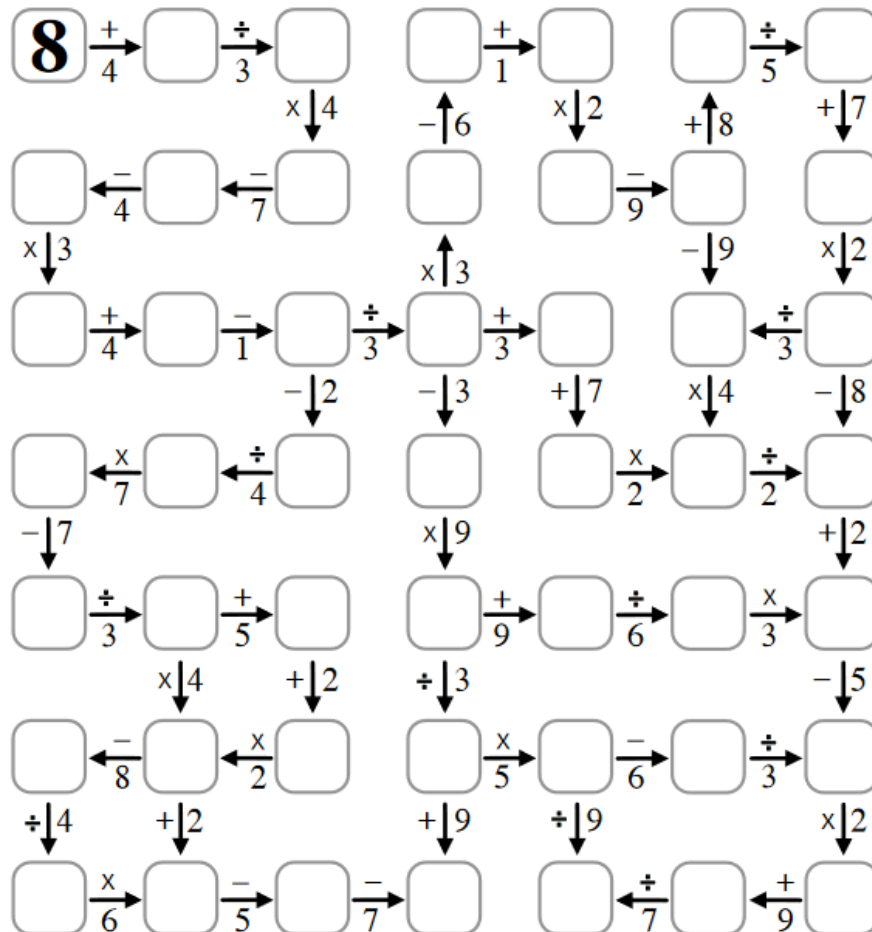
Tim MacLeod  
Principal

Ilona Wardas  
Vice-Principal

# ★ PUZZLE OF THE WEEK ★

## Number Snake Maze

Complete the following maze by filling in all the missing numbers. Pay attention to the arrows and the operations (addition, subtraction, multiplication, and division)!



Be sure to check the next newsletter to see the solution! If you have questions about or suggestions for the puzzle of the week, let Ms. Rush know!

Special thanks to [dadworksheets.com](http://dadworksheets.com) for the puzzle



NEW & USED

# SPORTS EQUIPMENT SALE

PRESENTED BY KIDSPORT NORTH SHORE



Do you have any new or lightly used sports equipment sitting around?  
Please **DONATE** anytime between May 27 - June 4, 2023! Find details  
on donation collection locations and acceptable equipment to  
donate on our website.

## EQUIPMENT SALE DETAILS

CARSON GRAHAM SECONDARY SCHOOL

SATURDAY, JUNE 24, 2023

10:00 AM - 2:00 PM

For more information, visit our website:

[www.kidsportnorthshore.ca](http://www.kidsportnorthshore.ca)



@kidsportnorthshore

[kidsportnorthshore@sportbc.com](mailto:kidsportnorthshore@sportbc.com)